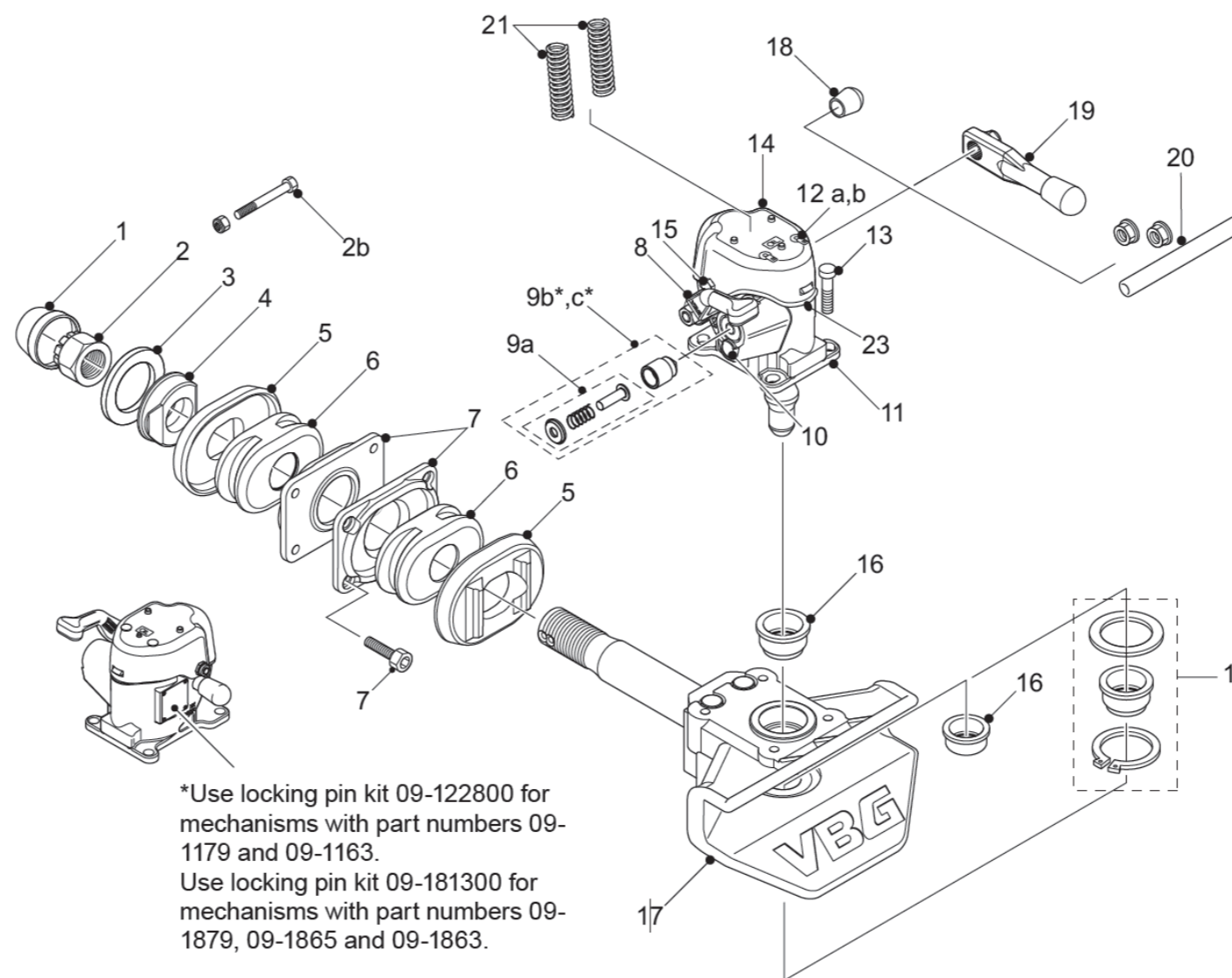




VBG 8500 BPW Part No.: VBG08009000



D 190 kN
EU coupling class C50-X
Type approval no:
E4*55R-010067
Angular displacement
for eye
Horizontally ± 90°
Vertically ± 25°
Axially ± 40°



*Use locking pin kit 09-122800 for mechanisms with part numbers 09-1179 and 09-1163.
Use locking pin kit 09-181300 for mechanisms with part numbers 09-1879, 09-1865 and 09-1863.

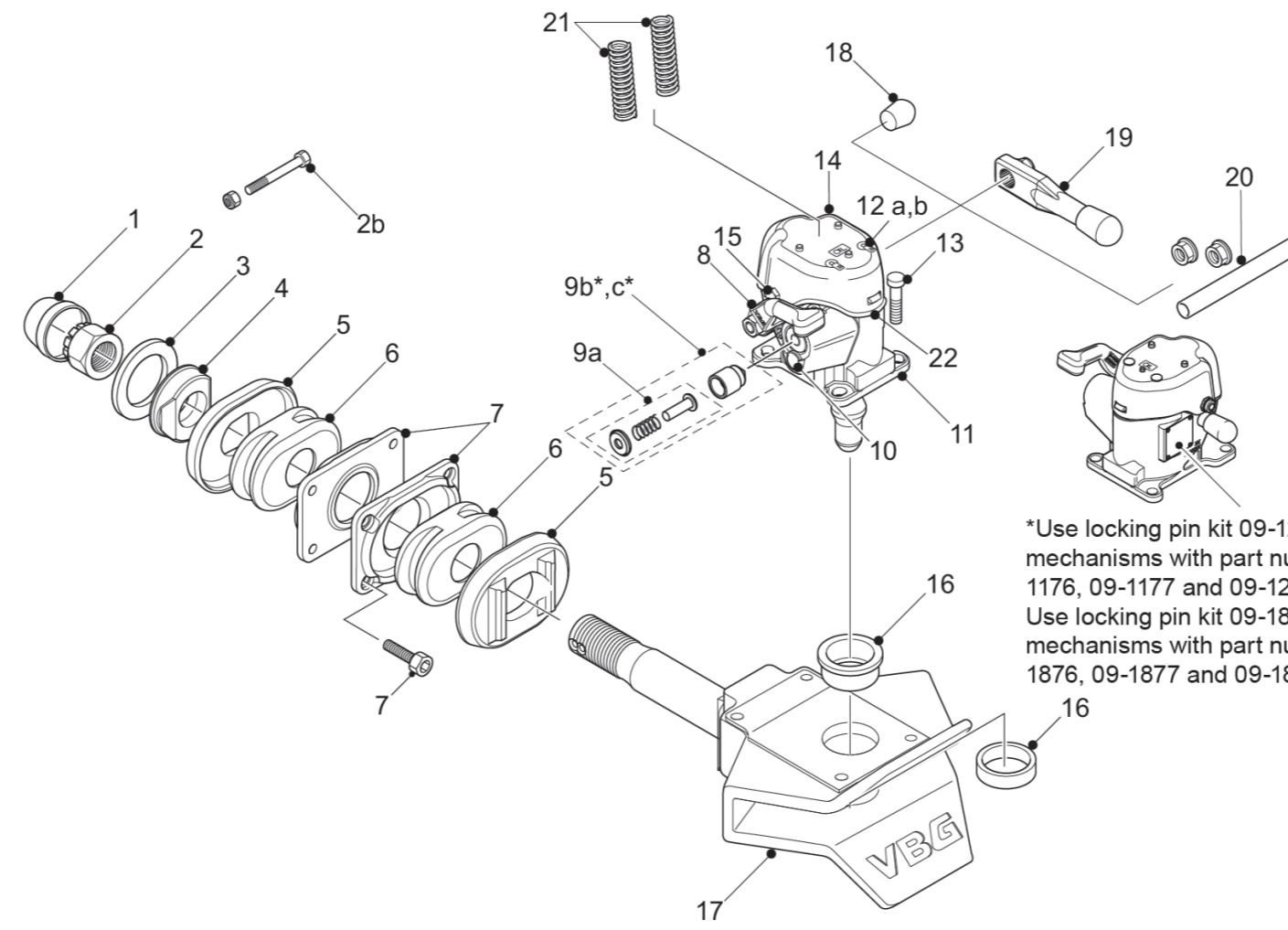
Pos	Part No.	Description
1	18-000400	Nut cover
2	18-000300	Castellated nut incl. Pos 2b
2b	09-125000	Lock kit, castle nut
3	18-015700	Washer 6 mm
4	18-076600	Nut washer
5	18-003800	Bearing plate kit
6	18-003500	Rubber block kit incl. Pos 2b
7	18-075300	Beam plates incl. screw
8	09-123200	Handle left
9a	09-126300	Signal pin kit
9b*	09-122800	Indicator & locking device
9c*	09-181300	Indicator & locking device
10	09-127100	Plastic plug
11	09-121700	Mechanism VBG 8500 incl. Pos 13, 17
12a	09-177500	Grease plug, 10-pack
12b	09-127000	Grease plug, 3-pack
13	09-119300	Bolt kit
14	09-123100	Mechanism cover kit
15	09-123600	Bolt kit for mechanism cover
16	18-004000	Bushing kit VBG 8500
17	08-016600	Coupling jaw VBG 8500 incl. castellated nut and Pos. 1, 17
18	09-123700	Cap
19	09-123300	Handle right
20	09-126400	Sleeve kit for handle 67 mm (for moving handle from left to right side)
21	09-126500	Closing spring kit
22	09-177600	Sealing kit, cover



VBG 760 BPW Part No.: VBG05-075500



D 200 kN
EU coupling class S
Type approval no:
E4*55R-010064
Angular displacement
for eye
Horizontally ± 110°
Vertically ± 30°
Axially ± 40°



*Use locking pin kit 09-122800 for mechanisms with part numbers 09-1176, 09-1177 and 09-1244.
Use locking pin kit 09-181300 for mechanisms with part numbers 09-1876, 09-1877 and 09-1844.

Pos	Part No.	Description
1	18-000400	Nut cover
2	18-000300	Castellated nut incl. Pos 2b
2b	09-125000	Lock kit, castle nut
3	18-015700	Washer 6 mm
4	18-076600	Nut washer
5	18-003800	Bearing plate kit
6	18-003500	Rubber block kit incl. Pos 2b
7	18-075300	Beam plates incl. screw
8	09-123200	Handle left
9a	09-126300	Signal pin kit
9b*	09-122800	Indicator & locking device
9c*	09-181300	Indicator & locking device
10	09-127100	Plastic plug
11	09-120200	Mechanism VBG 760 incl. Pos 13, 16
12a	09-177500	Grease plug, 10-pack
12b	09-127000	Grease plug, 3-pack
13	09-119300	Screw kit
14	09-123100	Mechanism cover kit
15	09-123600	Screw kit for mechanism cover
16	18-000800	Bushing kit VBG 760
17	05-078700	Coupling jaw VBG 760 incl. castellated nut and Pos. 1, 16
18	09-123700	Cap
19	09-123300	Handle right
20	09-126400	Sleeve kit for handle 67 mm (for moving handle from left to right side)
21	09-126500	Closing spring kit
22	09-177600	Sealing kit, cover

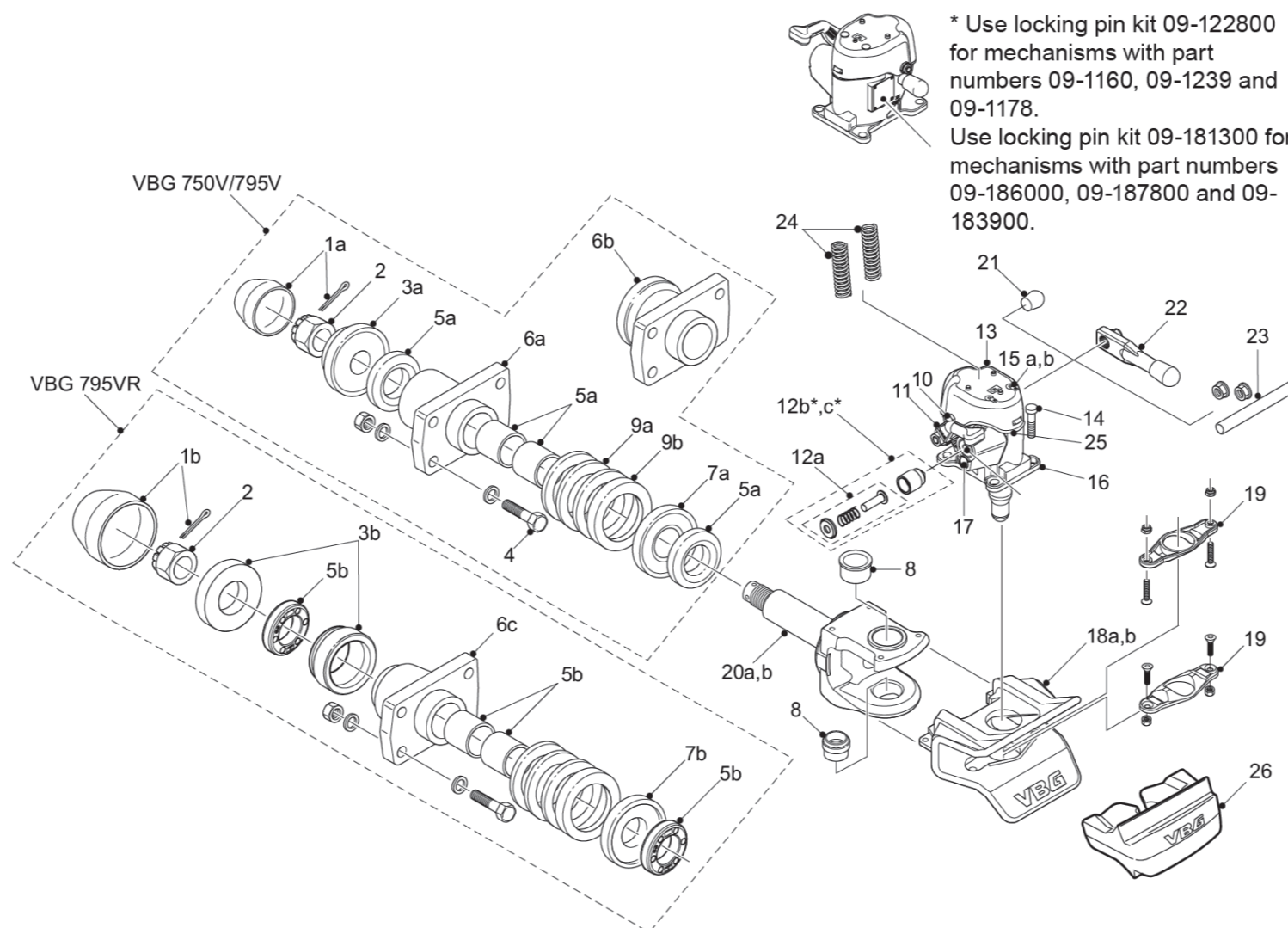


VBG 795VR2 BPW Part No.: VBG09-256100



	Alt. 1	Alt. 2
D (kN)	290	290
D _c (kN)	145	150
V (kN)	95	75
S (kg)	1000	2000

EU coupling class S
Type approval no:
E4*55R-010065

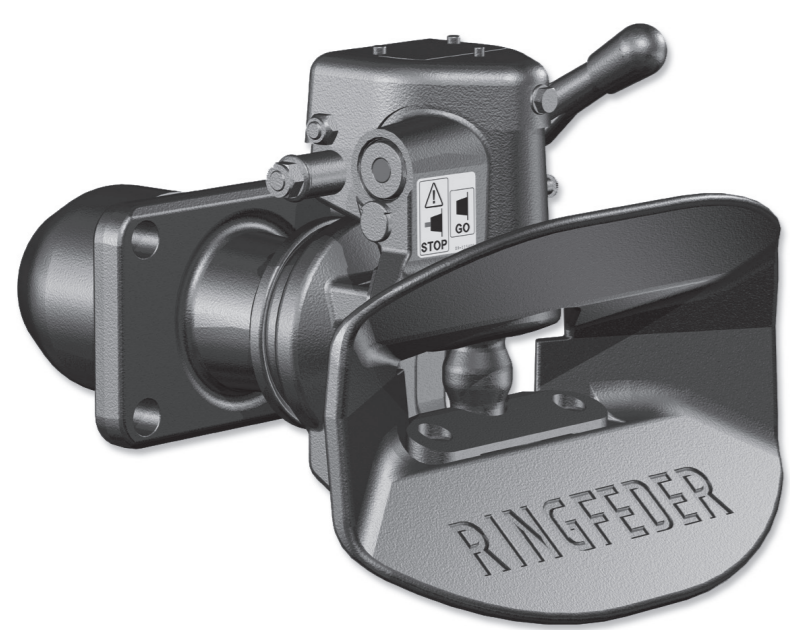


* Use locking pin kit 09-122800 for mechanisms with part numbers 09-1160, 09-1239 and 09-1178.
Use locking pin kit 09-181300 for mechanisms with part numbers 09-186000, 09-187800 and 09-183900.

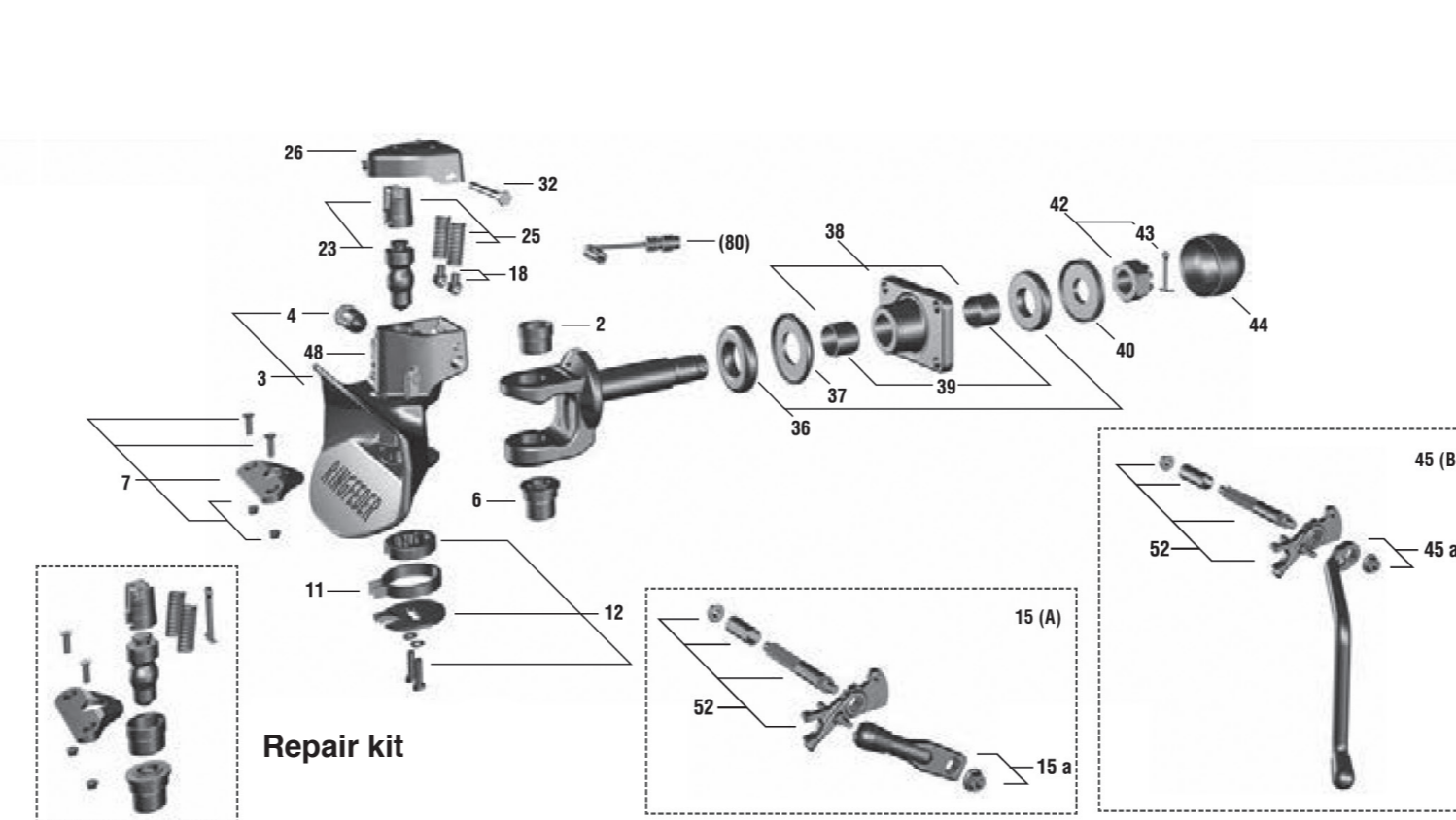
Pos	Part No.	Description
1a	09-065400	Nut cover, incl. split pin 750V/795V
1b	09-125400	Nut cover, incl. split pin 795VR
2	36-021800	Castellated nut
3a	18-054900	Bearing plate, inner
3b	09-125500	Bearing box kit 795VR, inner
4	05-063400	Bolt kit
5a	09-066200	Rubber bearing kit 750V/795V, incl pos 1a
5b	09-178400	Rubber bearing kit 795VR, incl pos 1b
6a	09-067300	Drawbeam sleeve VBG 795V incl pos 4, 5a
6b	09-067200	Drawbeam sleeve VBG 750V incl pos 4, 5a
6c	09-125700	Drawbeam sleeve VBG 795VR incl pos 4, 5b
7a	18-054700	Bearing plate, outer 750V/795V
7b	09-125800	Bearing plate, outer 795VR
8	09-068400	Bushing
9a	18-003000	Bar spacer washer 4 mm kit
9b	18-066400	Bar spacer washer 10 mm
10	09-123600	Screw kit for mechanism cover
11	09-123200	Handle left
12a	09-126300	Signal pin kit
12b*	09-122800	Indicator & locking device
12c*	09-181300	Indicator & locking device
13	09-123100	Mechanism cover complete kit
14	09-120800	Bolt kit
15a	09-177500	Grease plug, 10-pack
15b	09-127000	Grease plug, 3-pack
16	18-019000	Mechanism incl Pos 8, 14, 19 (x2)
17	09-127100	Plastic plug
18a	09-069700	Guiding funnel 795V/795VR
18b	09-069800	Guiding funnel 750V
19	09-066100	Wear plate (1 kit used for 750V and 2 kits for 795V/795VR)
20a	09-067100	Coupling jaw 795V/795VR incl pos 2, 8, 18a
20b	09-067000	Coupling jaw 750V incl pos 2, 8, 18b
21	09-123700	Cap
22	09-123300	Handle right
23	09-126400	Sleeve kit for handle 67 mm (for moving handle from left to right side)
24	09-126500	Closing spring kit
25	09-177600	Sealing kit, cover
26	09-014500	Protective insert



RINGFEDER 4040 A 135 BPW Part No.: RF14999683 RINGFEDER 4040 A 145 BPW Part No.: RF14991104 RINGFEDER 4040 A 150 BPW Part No.: RF14996314



Articulation
of drawbar eye
horizontal 110°
vertical 20°
axial 360°

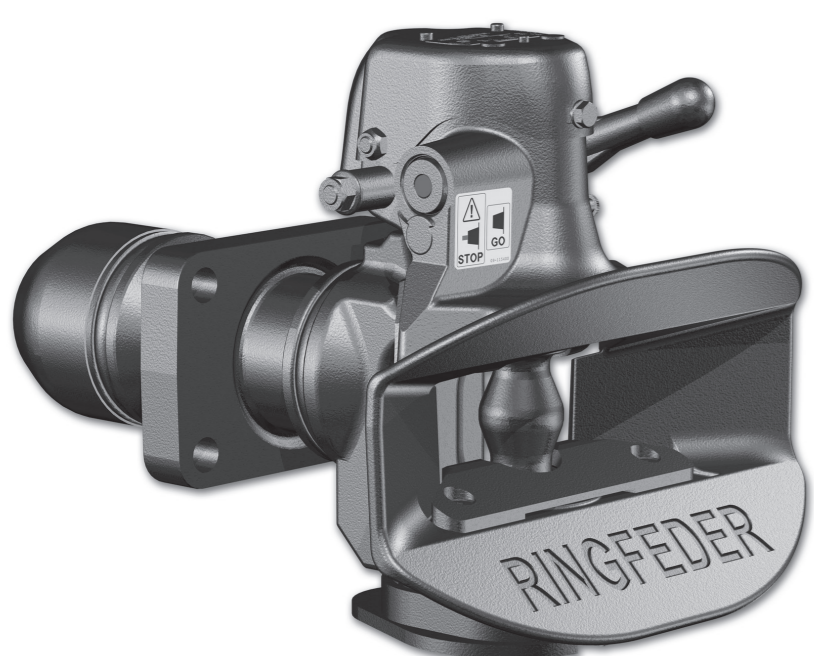


Repair kit

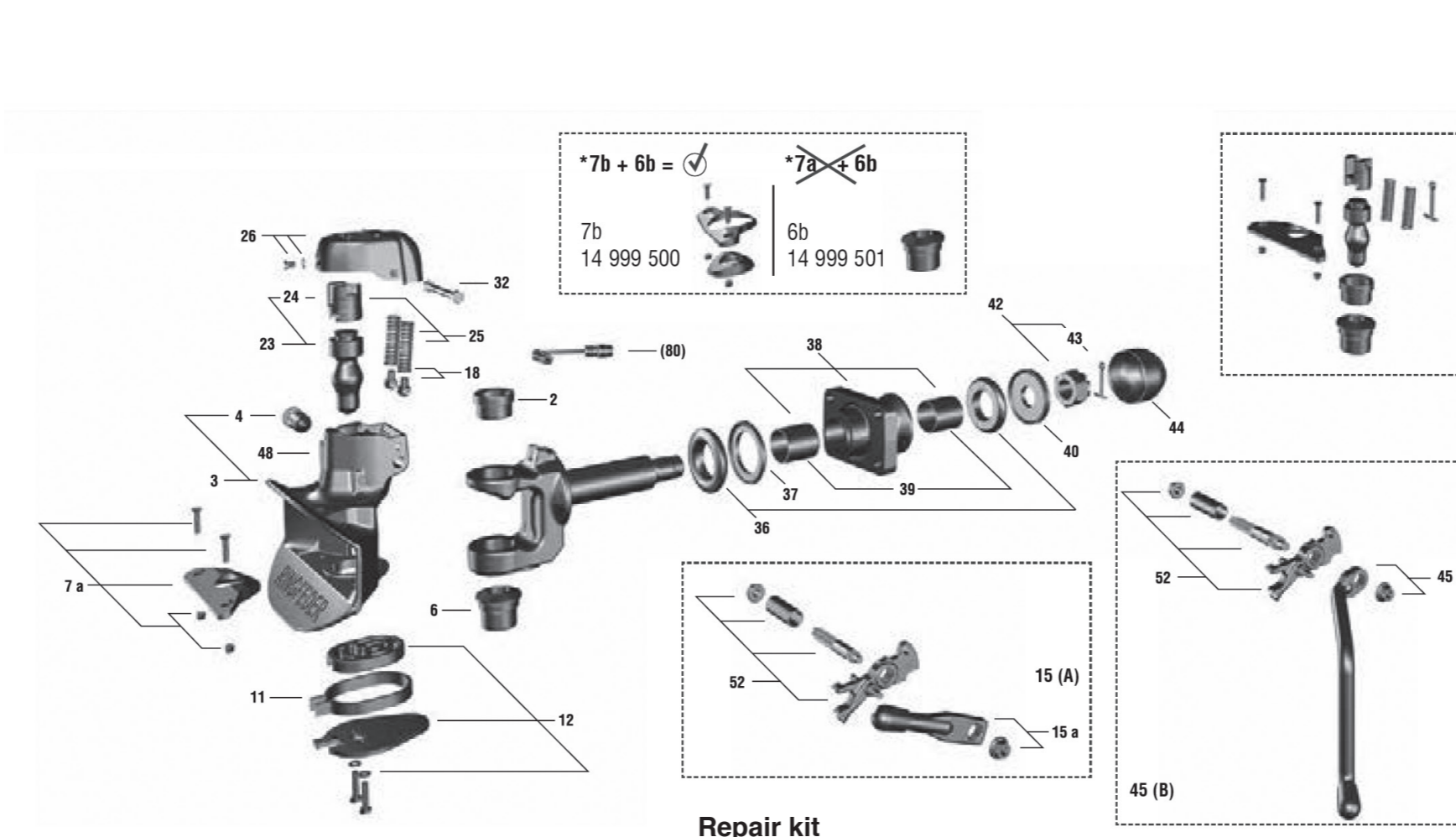
Pos	Part No.	Description
15	14 991 272	Hand/locking lever, design A
15a	14 991 312	Hand lever design A
18	07 998 341	Spring arm
23	14 991 280	Coupling bolt, cpl. with locking springs short, L = 75 mm
25	14 991 241	Locking spring short, L = 75 mm (2 pcs.)
26	14 991 288	End cap
32	14 991 359	Hexagon screw M10 x 115, 10.9
36	07 998 309	Rubber spring
36	14 991 672	Rubber spring
37	07 995 539	Thrust washer
37	07 995 520	Thrust washer
38	00 990 531	Bar guide
38	14 991 336	Bar guide
38	14 991 296	Bar guide
39	10 995 310	Bearing bush
39	14 991 304	Bearing bush
40	07 995 687	Tension washer
40	07 995 555	Tension washer
42	06 997 740	Castellated nut M36 x 3
42	06 997 732	Castellated nut M45 x 3
43	12 991 550	Cotter pin
43	12 991 533	Cotter pin
44	10 996 660	Protecting cap
44	10 991 323	Protecting cap
45	14 991 368	Hand/locking lever, design B
45a	14 991 376	Hand lever design B
48	09 127 100	Plug for sensor hole A/B
52	14 991 320	Axle with locking lever
(80)	14 991 406	Sensor
	14 991 665	Control unit with LED
	14 996 778	Conversion kit for design AM
	14 991 328	Repair kit, Coupling bolt (23), Special plastic plate, Top guide bush, Bottom guide bush, Cotter pin



RINGFEDER 5050 A 150 BPW Part No.: RF14996305



Articulation of drawbar
eyes D 50
horizontal 110°
vertical 20°
axial 360°



Repair kit

Pos	Part No.	Description
2	14 991 384	Top guide bush
3	14 991 392	Coupling body
4	14 994 478	Safety device
6	14 991 407	Bottom guide bush
(6b)*	14 999 501	Bottom guide bush
7	6 998 321	Special plastic plate
7a	9 996 770	Wear plate (cast iron)
(7b)*	14 999 500	Wearing plate kit
11	7 995 610	Return spring
12	14 991 399	Tab washer
15	14 991 391	Hand-/locking lever combination design A
15a	14 991 312	Hand lever, design A
18	7 998 341	Spring arm (2 pieces)
23	14 991 375	Coupling bolt
25	14 991 273	Locking spring (2 pieces)
26	14 991 367	End cap A/B
32	14 991 359	Hexagon screw M10 x 115,
36	13 997 942	Rubber spring
37	13 997 632	Thrust washer
38	14 994 916	Bar guide
39	14 994 876	Bearing bush (2 pieces)
40	7 995 555	Tension washer
42	6 997 732	Castellated nut M45 x 3
43	12 991 533	Cotter pin 8 x 80
44	10 991 323	Protecting cap
45	14 991 262	Hand-/locking lever combination design B
45a	14 991 376	Hand lever design B
48	09 127 100	Plug for sensor hole A/B
52	14 991 383	Axle with locking lever
(80)	14 991 406	Sensor Capteur
	14 991 382	Conversion kit 5050 AM
	14 991 665	Control unit with LED
	14 991 343	Repair kit (Pos. 2 + 6 + 7 a + 23 + 43)

