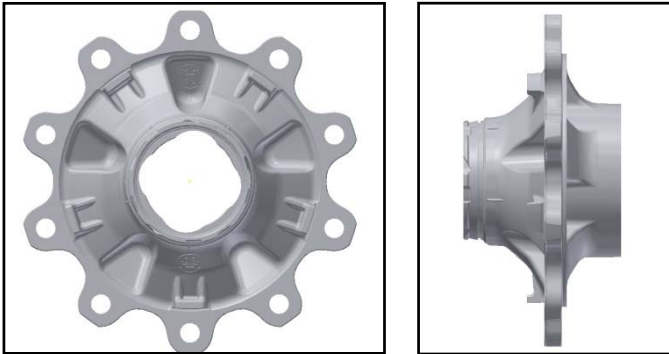


The ECO Plus 3 Differences.

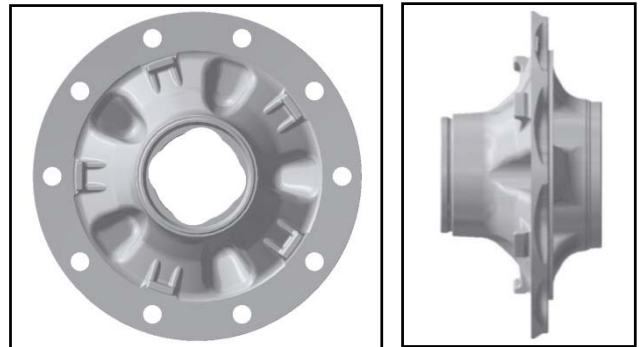
A visual guide to identify an ECO Plus 3 axle and what has changed.

ECO Plus 2 Hub - 03.272.43.29.0



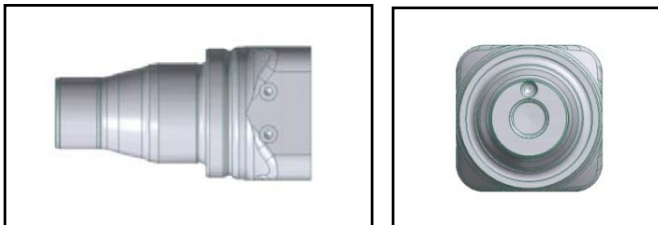
- Flower pattern design
- Bayonet style Pole wheel with 100 teeth
- Bayonet style hub cap recess

ECO Plus 3 Hub – 03.272.43.42.0

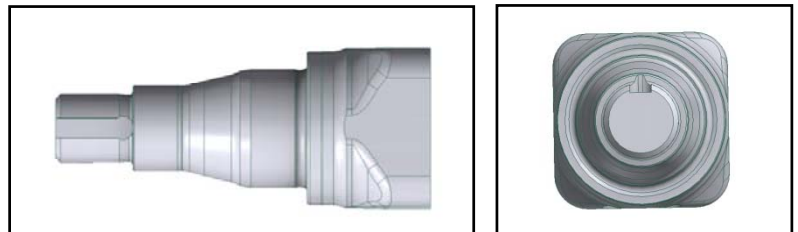


- Full hub flange design
- Press fit pole wheel with 90 teeth
- Threaded style hub cap recess

Axle Stub design - Eco Plus 2

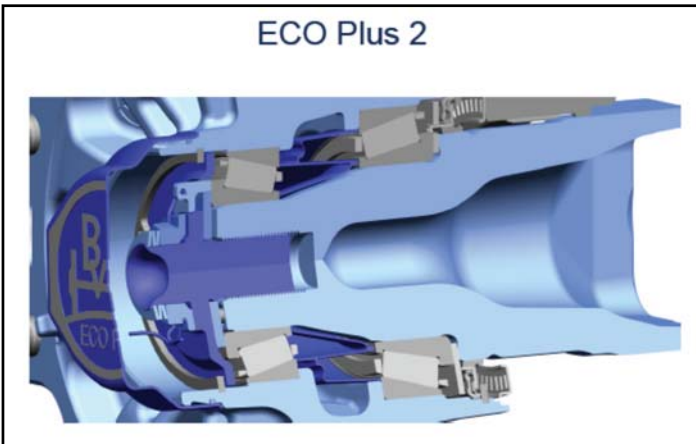


Axle Stub design - Eco Plus 3



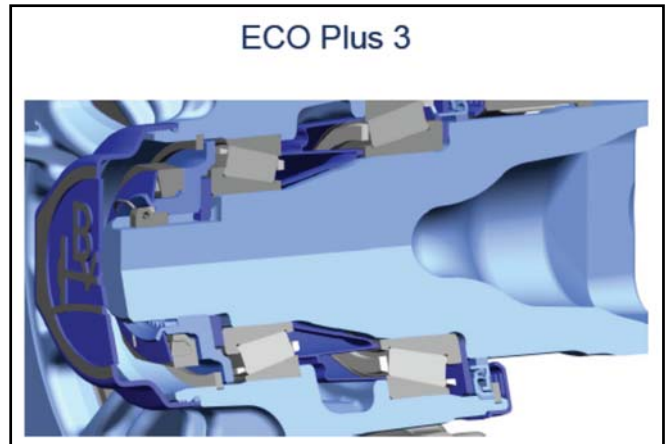
Axle bolt design

ECO Plus 2



Axle nut design

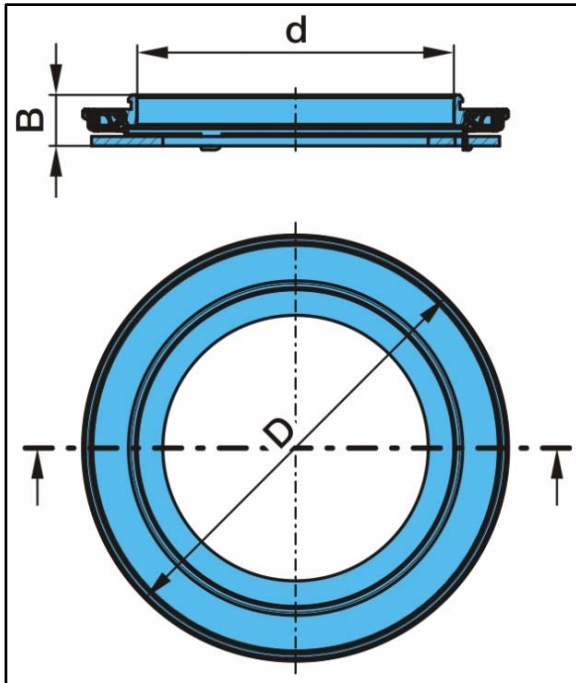
ECO Plus 3



BPW ECO seal

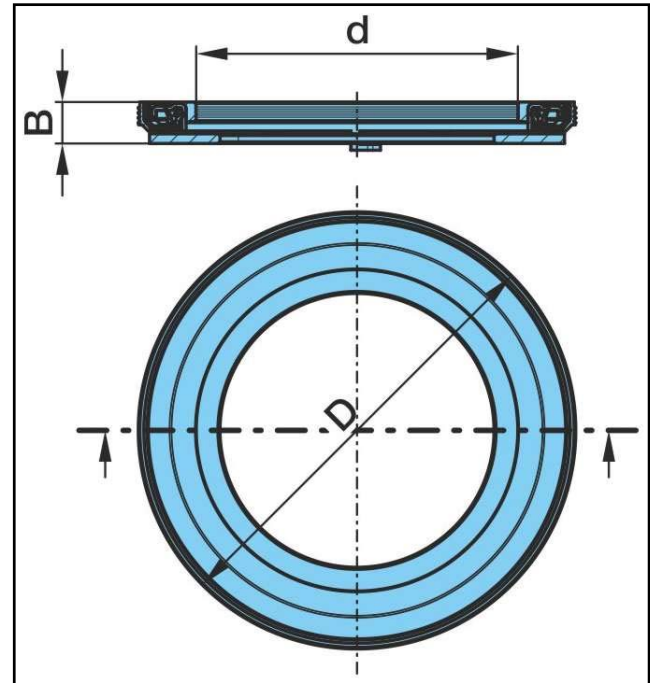
With the introduction of the ECO Plus3, BPW has further improved on well-known ECO Seal design. The new seal is black and is slightly wider. (The seals are not interchangeable, and the new version cannot be fitted in either the ECO Plus 1 or 2 axles)

ECO Plus 2



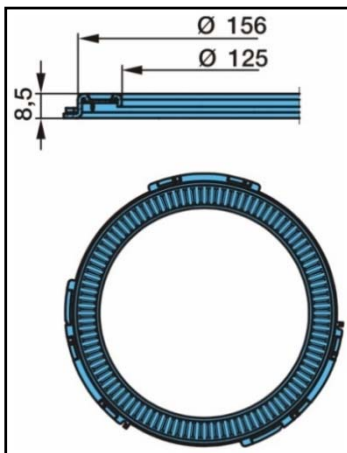
- Part Number 02.5664.74.0
- Dimensions: $\text{Ø}117,5 \times 158 \times 15,5$

ECO Plus 3



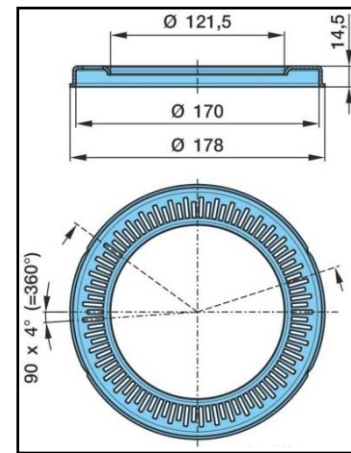
- Part Number: 02.5664.77.00
- Dimensions: $\text{Ø} 117 \times 158 \times 15\text{mm}$

ABS ring - ECO Plus 2 - 03.310.08.51.0



- Clip in ABS ring – bayonet style
- 100 Teeth

ABS ring ECO Plus 3 – 03.310.08.57.0



- Press-fit pole
- 90 teeth (OE Fitment)
- **Remember: Program EBS systems accordingly**
- Special 100 teeth ring available for retro fit only

ECO Plus 2 Hub cap 03.212.25.68.0



- Width 56mm
- "Eco plus" visible in straight line
- Bayonet/Clip

ECO Plus 3 Hub cap 03.212.25.90.0



- Width 48mm
- "Eco plus" not visible on hubcap
- Threaded (M=350Nm)
- Uses SW 110 spanner
(Same as Eco Plus 1)

ECO Plus 2 Hub odometer

- Bayonet/Clip
- Uses SW 120 spanner

ECO Plus 3 Hub odometer

- Threaded (M=350Nm)
- Uses SW 110 spanner
(Same as ECO Plus 1)

Part Numbers:

05.212.25.75.0 (385/65 R22.5)
05.212.75.36.0 (425/65 R22.5)

→ 05.212.75.22.0
→ 05.212.75.24.0